

Electric Gravy Warmer

deni

Model #15500

IMPORTANT!

Please keep these instructions and your original box packaging.

www.deni.com



INSTRUCTIONS
FOR PROPER USE AND CARE

Electric Gravy Warmer

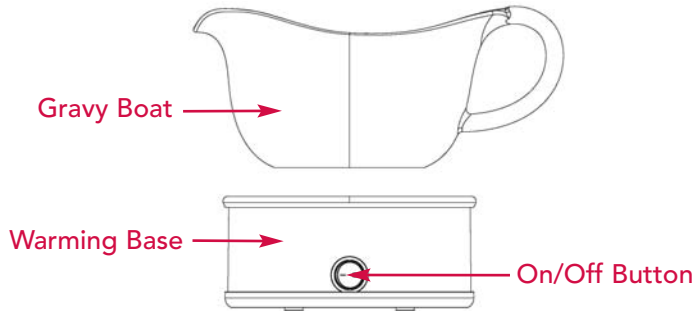
IMPORTANT SAFEGUARDS

When using this electrical appliance, safety precautions should always be observed, including the following:

- **Read all of the instructions.**
- Do not use outdoors or on a wet surface.
- Do not allow children near appliance. Close supervision is necessary when used near children.
- Place the Electric Gravy Warmer securely in the center of the counter or work space.
- Use only as described in this manual with provided attachments.
- Do not use with damaged cord or plug. If the appliance is not working as it should, has been dropped, damaged, left outdoors, or dropped into water, return it to Keystone Manufacturing Company, Inc. for proper service and replacement or repair.
- Do not do the following: pull or carry by the cord, use cord as a handle, close a door on cord, pull cord around sharp edges or corners, let cord hang over edge of counter, operate appliance over cord. Keep cord away from heated surface.
- Do not place near hot gas or electric burner.
- Do not touch hot surfaces.

- To protect against risk of electrical shock, do not put the warming base in water or any other liquid.
- Turn the warming base off before plugging in or unplugging.
- Always unplug before cleaning.
- Do not use an extension cord with this unit.
- Do not unplug by pulling on cord. To unplug, grasp the plug, not the cord.
- Do not handle plug or appliance with wet hands.
- **CAUTION:** The warming surface will remain warm after the unit is turned off.
- Always unplug the unit before attempting to move it. Extreme caution must be used when moving appliances containing hot liquids.
- The Deni Electric Gravy Warmer has a polarized plug (one blade is wider than the other). This plug will fit in a polarized outlet only one way, as a safety feature. Reverse the plug if the plug does not fully fit in the outlet. Contact a qualified electrician if it still does not fit. Do not attempt to defeat this safety feature.
- This unit is recommended for household, indoor use only.

SAVE THESE INSTRUCTIONS



BEFORE FIRST USE

1. Remove all packing materials and literature.
2. Wash the gravy boat with warm soapy water using a sponge or soft cloth. Rinse and dry thoroughly.
3. Wipe the warming base with a clean damp cloth. Do not use abrasive cleaners or scouring pads. Do not immerse the base in water.

HOW TO OPERATE

1. Plug the power cord into a wall outlet.
2. Place the **hot or warm gravy/sauce** in the gravy boat and press the switch to the "On" position.
3. The gravy or sauce will maintain a warm serving temperature.

HOW TO CLEAN

1. Make sure the warming base is turned off. Unplug the power cord from the wall outlet.
2. Allow the appliance to cool completely.
3. Wash the gravy boat with warm soapy water using a sponge or soft cloth.
4. Rinse and dry thoroughly.
5. Wipe the warming base with a clean damp cloth. Do not use abrasive cleaners or scouring pads. Do not immerse the base in water.

HINTS AND TIPS

- **Gravy or sauce should be hot/warm** when put in the gravy boat.
- The Electric Gravy Warmer is designed to keep the gravy or sauce at a desired temperature. It is not intended to heat cold gravy or sauce.
- The warming base has a switch to turn the unit on and off. Switch to off position when not in use.
- Use the warming base with the ceramic gravy boat only. It is not intended for use with plastic carafes or casseroles.
- Power cord can be removed when serving at the table. **The warming base will remain warm for about 30-60 minutes, and it's depends on the volume & thickness of the gravy.**

CUSTOMER SERVICE

If you have any questions or problems regarding the operation of your Deni Electric Gravy Warmer, call our customer service department toll free:

Monday through Friday
8:30 a.m. to 5:00 p.m.
(Eastern Standard Time)
1-800-DENI-822
or email us at
custserv@deni.com

Visit our website at
www.deni.com

Deni by Keystone Manufacturing Company, Inc.®

ONE-YEAR LIMITED WARRANTY

Your Deni Electric Gravy Warmer warranted for one year from date of purchase or receipt against all defects in material and workmanship. Should your appliance prove defective within one year from date of purchase or receipt, return the unit, freight prepaid, along with an explanation of the claim. If purchased in the U.S.A. or other country, please send to: Keystone Manufacturing Company, Inc., 33 Norris Street, Buffalo, NY 14207. If purchased in Canada, please send to: Keystone Manufacturing Company, Inc., 151 Cushman Road, St. Catharines, Ontario L2M 6T4. (Please package your appliance carefully in its original box and packing material to avoid damage in transit. Keystone is not responsible for any damage caused to the appliance in return shipment.) Under this warranty, Keystone Manufacturing Company, Inc. undertakes to repair or replace any parts found to be defective.

This warranty is only valid if the appliance is used solely for household purposes in accordance with the instructions. This warranty is invalid if the unit is connected to an unsuitable electrical supply, or dismantled or interfered with in any way or damaged through misuse.

We ask that you kindly fill in the details on your warranty card and return it within one week from date of purchase or receipt.

This warranty gives you specific legal rights. You may also have other rights which vary from state to state or province to province.